

AVIRTEX®

AVIRTEX® FIRE BLANKETS

AVIRTEX® is a top quality slim fire resistant blanket. The suppleness and strength of blanket ensures user confidence as it is well insulated, yet easily drapes over the fire.



FEATURES

- Product independently tested and certified to **EN 1869:1997**
- Blanket made from woven glass fiber (Totally Asbestos-Free)
- Fire blanket pack in red color hard PVC box with flush caps
- Container can be wall-mounted
- Easy and quick withdrawal of blanket from container
- Clear usage instructions in English and Arabic.

SPECIFICATION

Material	:	Woven Glass Fiber
Thickness	:	Approximately 0.43 mm
Color	:	White
Base fabric	:	100% Fiberglass

Article Nos.	4246FT140	4246FT141	4246FT142
Available Sizes	4 x 4 ft (1.2 x 1.2 m) (120 x 120 cm)	4 x 6 ft (1.2 x 1.8 m) (120 x 180 cm)	6 x 6 ft (1.8 x 1.8 m) (180 x 180 cm)

AREA OF APPLICATION

Suitable for smothering and extinguishing fires in homes, kitchens, schools, hospitals, laboratories, offices, workshops and factories.



Doc. Control:	Rev.:	Date:
	3.2	April 10, 2016

This Article Data Sheet (ADS) is designed and produced by FLOWTRONIX (FT) covered under the intellectual property law. Any reproduction in whole or in part is strictly prohibited without written approval. FT HT 1208-3.2

AVIRTEX®
AVIRTEX® FIRE BLANKETS

FIRE BLANKET INSTALLATION GUIDE

Important location advice

- Each fire blanket shall be located in a conspicuous and readily accessible position. The blanket shall not be located in a position where access could present a hazard to the potential user.
- Fire blankets shall be installed by mounting containers on brackets which are sufficiently strong to withstand the loads imposed when removing the fire blanket from its container. Sufficient room shall be allowed so that the fire blanket can be quickly removed without impedance from nearby obstructions.

Attaching to the wall

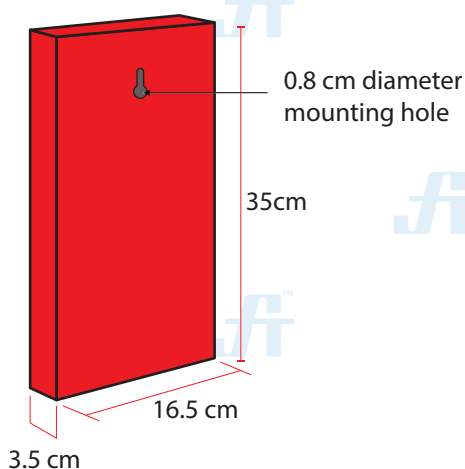
Each fire blanket has 1 mounting hole. This is the most straightforward and reliable method of fixing a fire blanket. Should be mounted at eye level height.

CONSIDERATIONS

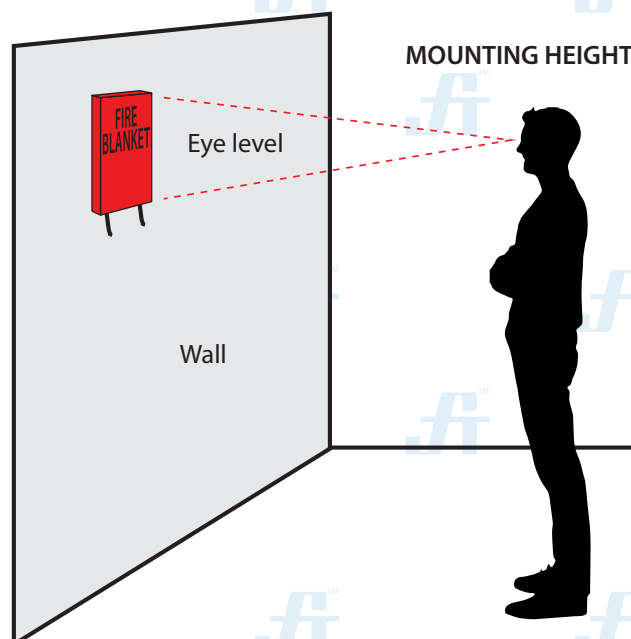
Careful consideration needs to be given to the following:

- Is the size of fire blanket being installed the correct size for the application.
- Type of wall fire blanket is being mounted to
- Wall fixings must be suitable for wall type
- The force required to pull the blanket from its 'container'
- Cables / pipework behind the installation wall
- The amount of traffic the installation location is subject to (this can help to prevent accidental demounting, damage and misuse)
- Potential for damage to occur to the fire blanket in its installed location (e.g. hot fat spitting on the cover)
- Accessibility to the fire blanket in the event of a fire.

FIRE BLANKET CASE DIMENSIONS



MOUNTING HEIGHT



Doc. Control:	Rev.:	Date:
	3.2	April 10, 2016

This Article Data Sheet (ADS) is designed and produced by FLOWTRONIX (FT) covered under the intellectual property law. Any reproduction in whole or in part is strictly prohibited without written approval. FT HT 1208-3.2



A PRODUCT OF

 PROTECTIVE LINE